



Intercom System

- Features
- Communication modes
- Intercom synoptic
- Siren available as option
- Applications

- Communication simplex between people → PTT

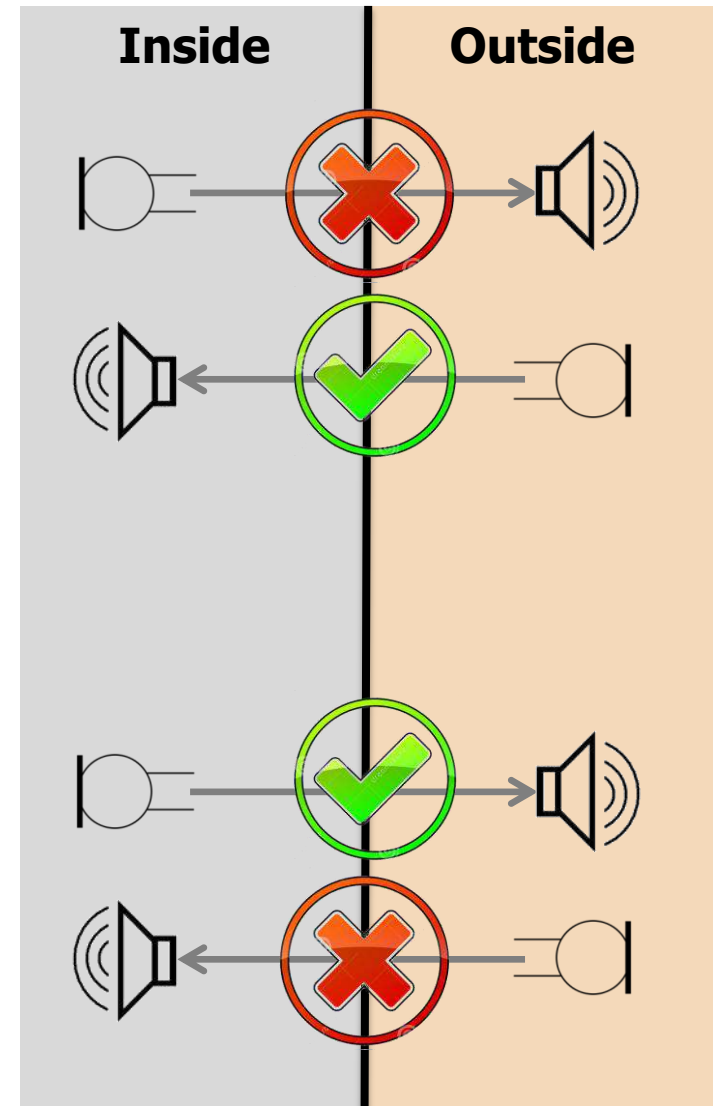
- Communication mode: (see P.4)
 - **Listener mode** : *you listen what happens outside of the vehicle*
 - **Speaker mode**: *you can give instructions to outside of the vehicle*

- Wired communication

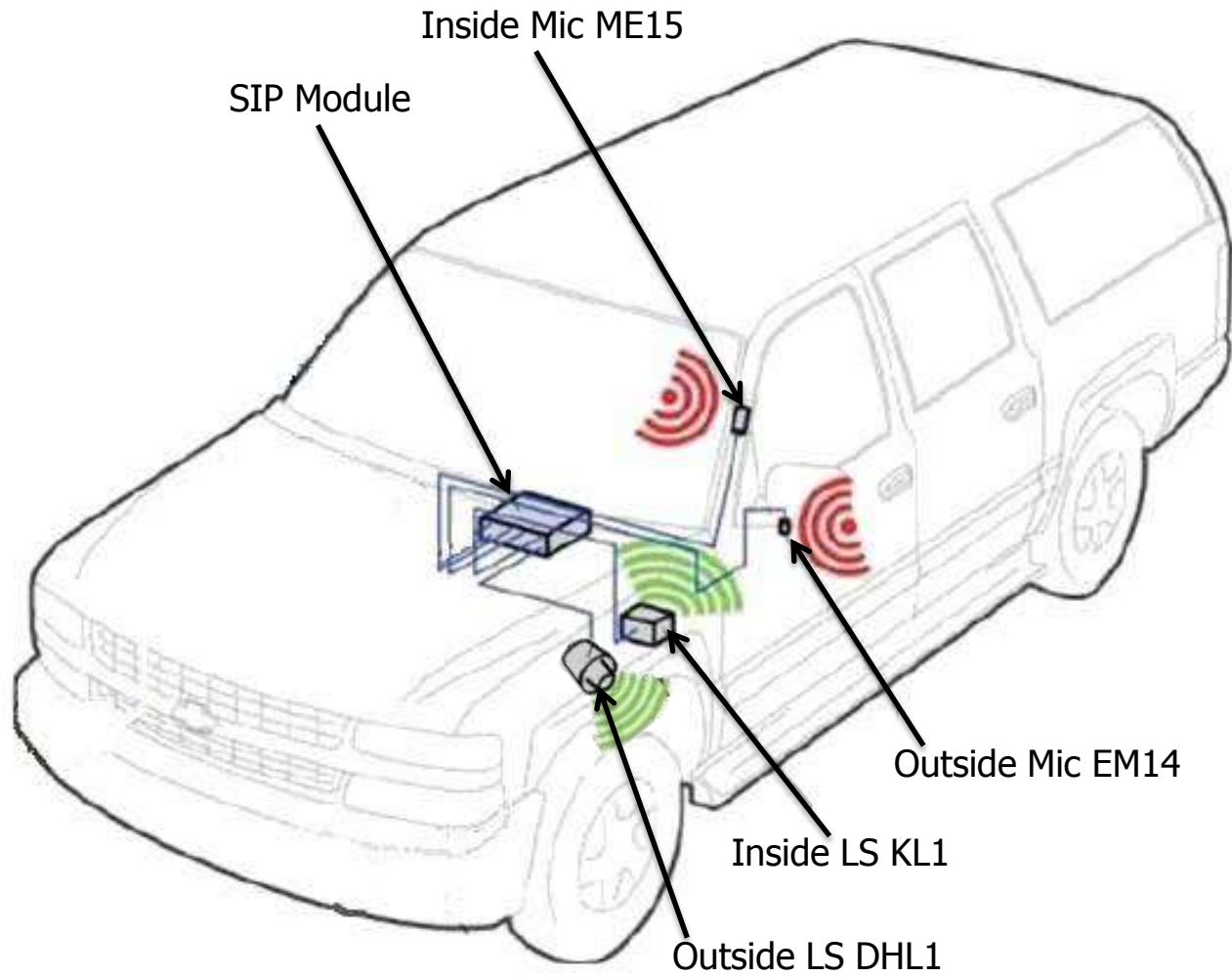
- Siren available in option
 - Additional amplifier needed

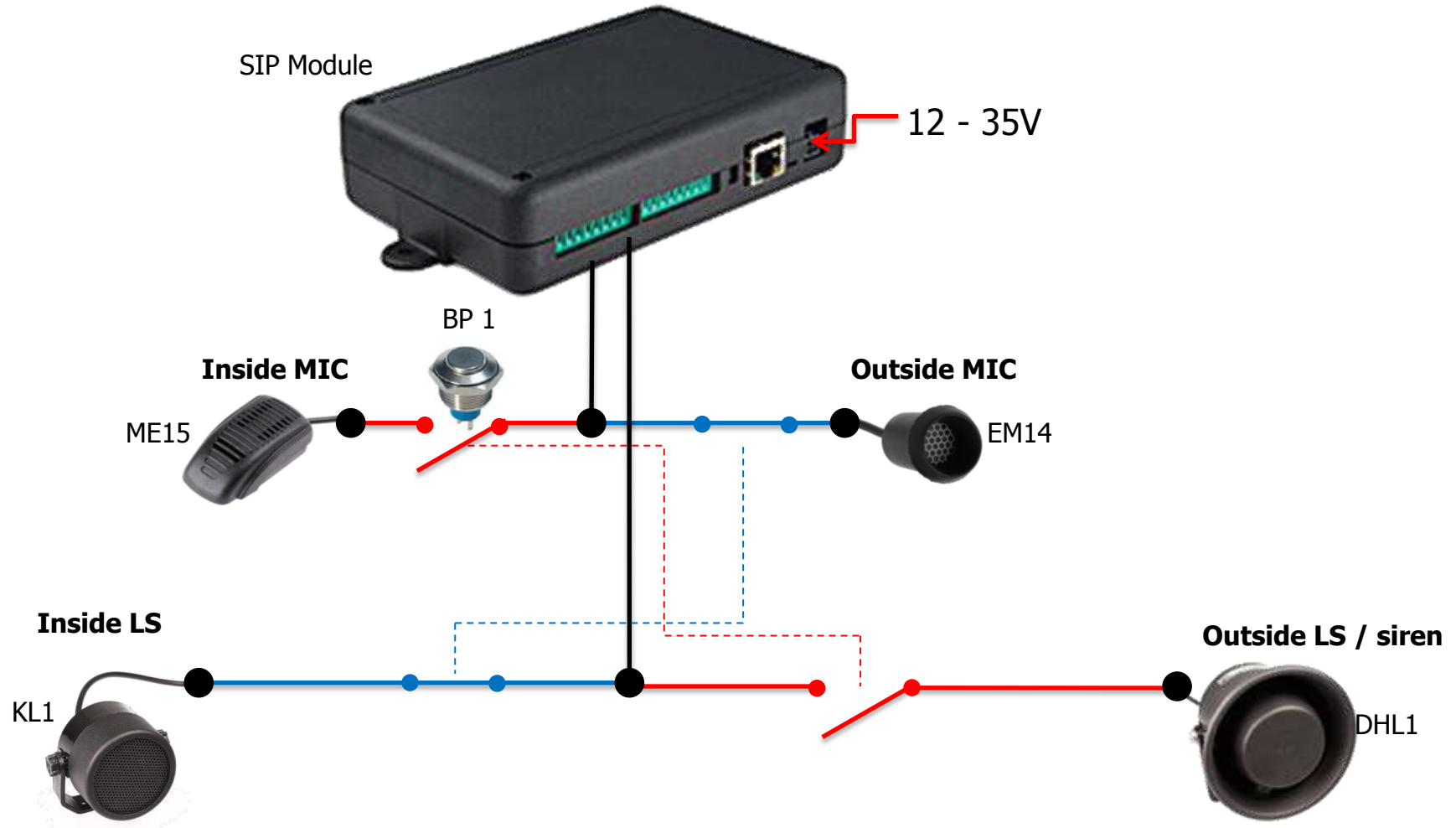
- **Listener mode:** *you listen what happens outside of the vehicle*

- **Speaker mode:** *you can give instructions to outside of the vehicle*



Intercom System





■ Intercom Unit

- SIP Module (1)

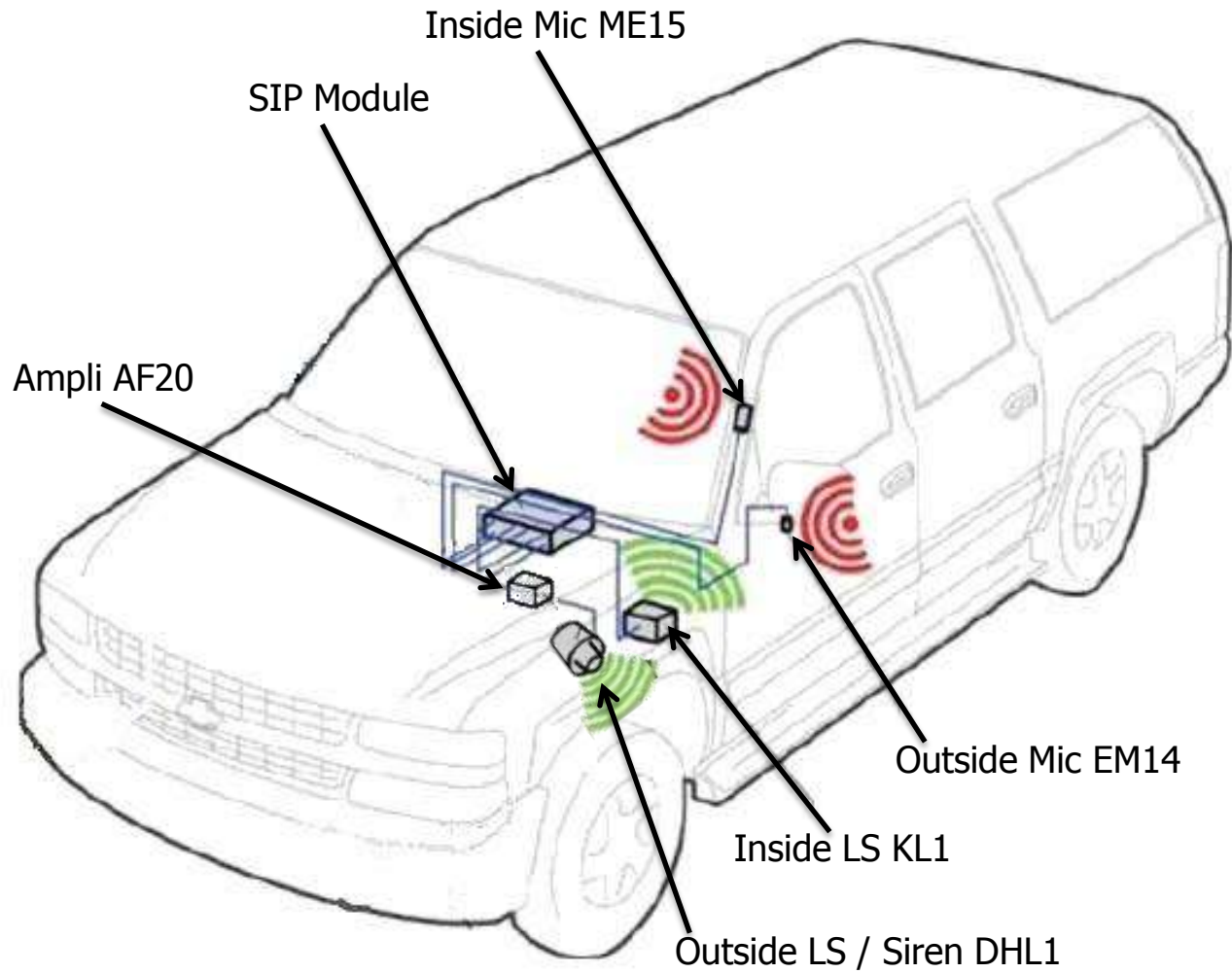
■ Accessories

- Inside Microphone → ME15 (2)
- Outside Microphone → EM14 (3)
- Inside Loudspeaker → KL1 (4)
- Outside Loudspeaker → DHL1 (5)
- PTT (6)

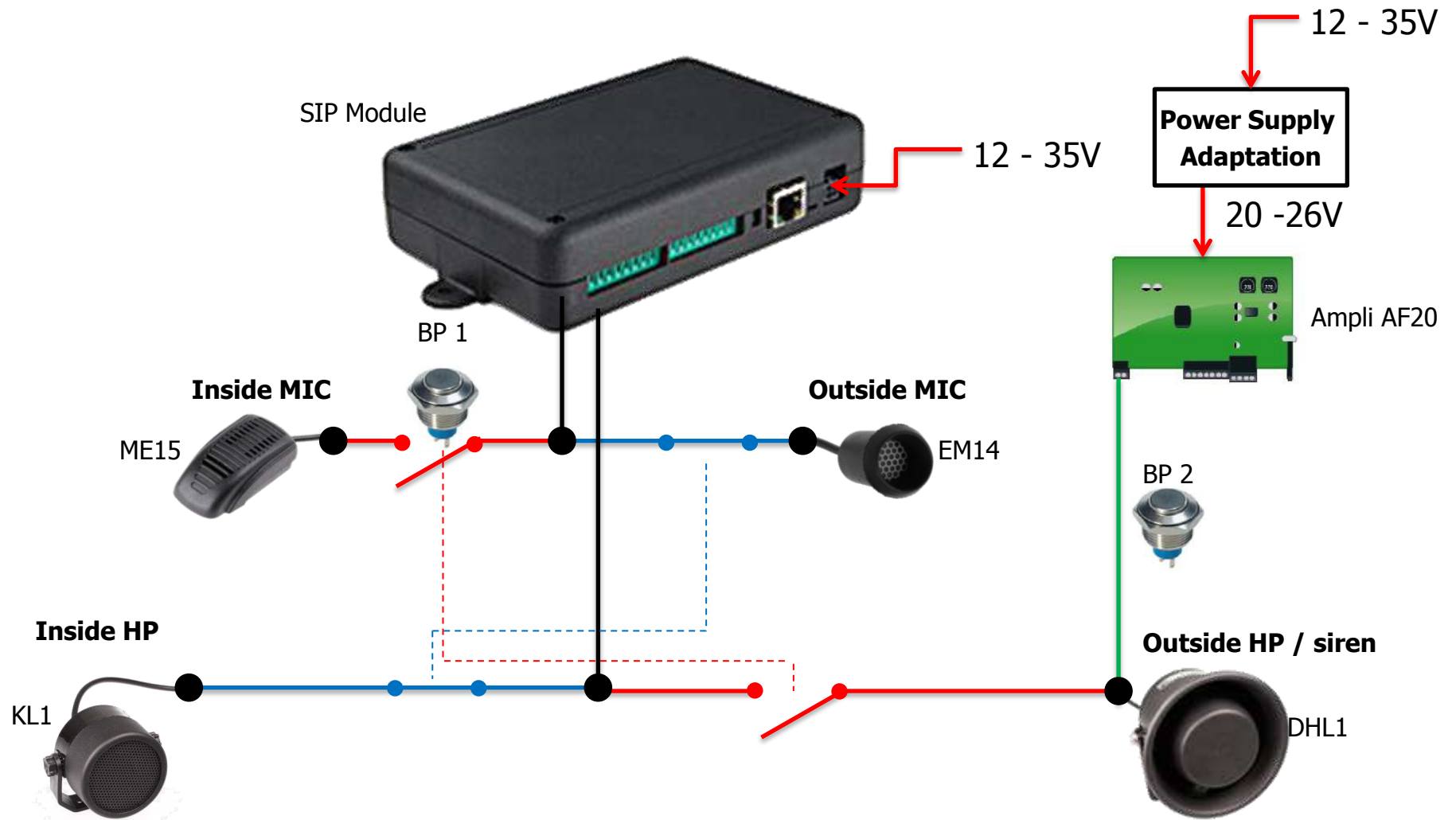


Intercom System with Siren

Installation car: Siren Option



Intercom synoptic with siren



■ Intercom Unit

- SIP Module (1)

■ Accessories

- Inside Microphone → ME15 (2)
- Outside Microphone → EM14 (3)
- Inside Loudspeaker → KL1 (4)
- Outside Loudspeaker → DHL1 (5)
- PTT (6)
- Amplifier(7)



■ Armored cars



■ Double-cabin vehicles



Our Mission



**Thank you for your
attention.**

peiker France SAS
Europarc de Pichaury, Bâtiment C9
1330, rue Guillibert de la Lauzière
13290 Aix-en-Provence France
Tél. +33 (1) 3006 7777 | Fax. +33 (1) 3911 0023
info@peiker.fr

www.peiker.fr