

Give Your Repeater Worldwide Coverage with WIRES™-II

WIRES™-II

Wide-Coverage Internet Repeater Enhancement System

The Newest, Most Flexible Amateur Radio Internet Linking System!

WIRES™-II Outline

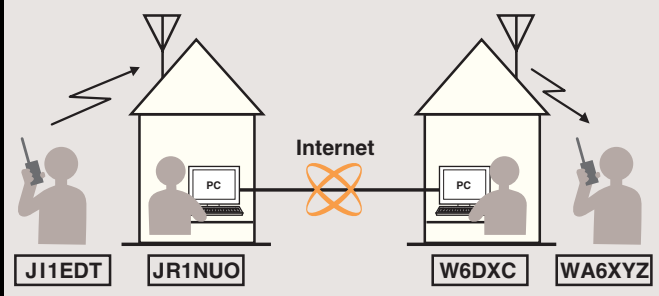
1 WIRES™-II uses DTMF signaling to establish a bridge, using the Internet, from your repeater or home station to another WIRES™-II-equipped station anywhere in the world. No proprietary tones or connection formats are used, so any manufacturer's radio (equipped with a DTMF encoding keypad) may be used to bring up the Internet link.

3 The flexibility of the WIRES™-II concept allows you to configure the system to allow on-the-fly selection of linked or non-linked communications. Therefore, in fast-moving emergency communications situations where both local coordination and longer-distance reporting are required, WIRES™-II allows local communications to be interspersed between linked transmissions. And because WIRES™-II uses voice-recording technology as a buffer, WIRES™-II calls will never interrupt a conversation in progress on a distant repeater.

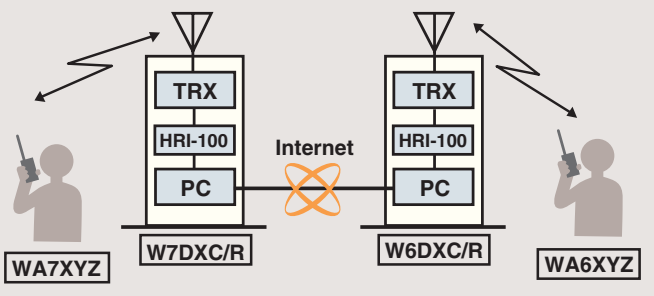
2 At the repeater site, a personal computer is connected to the HRI-100 WIRES™-II Interface Box, which serves as a command and audio-patching controller for the Internet bridge to your computer. Either a dial-up connection, or a high-speed line such as a DSL or ISDN line, may be used for connecting to the Internet.

4 WIRES™-II provides two operating network concepts. Up to ten repeaters and/or home stations may join together to form a "Sister Radio Group" for closed-network operations, ideal for emergency, school, or sister-city groups. You can call any repeater within your SRG group using a single DTMF digit. And the host WIRES™-II server also maintains a world-wide listing of repeaters operating in the "FRG" mode ("Friends' Radio Group"), any of whom you may call using a six-digit DTMF string to establish a link.

Internet "bridge" using home stations to establish link.



Repeater with WIRES™-II





Your Hand-held or Mobile is Now Your Bridge to the World, and Your "Local" Repeater Will Never Be the Same!

WIRES™-II uses DTMF signaling to connect your hand-held or car transceiver, via the HRI-100 Interface Box, to the Internet, and from there the sky really is the limit!

WIRES™-II Introduces Two Unique Networking Modes for Radio-Internet Linking:

SRG A closed network of up to ten repeaters that have agreed to form a "Sister Radio Group" (SRG). Access to any other group station is accomplished by the sending of a single DTMF digit at the beginning of the first transmission.

FRG Repeaters around the world, as they register into the WIRES™-II Host Server, may become part of the "Friends' Radio Group" (FRG), and you might get a call from just about anywhere in the world the next time you're on the air during your morning commute!

WIRES™-II Amateur Radio Internet Linking Kit



HRI-100 Interface Box
(Requires 12 V DC Input)

Connections:

DC In: 12 V ±10 %, negative ground, 1 A max.
 SP Jack: Input from Sound Card, 600 mV rms @ 600 Ω
 MIC Jack: Output to Sound Card, 500 mV p-p @ 600 Ω
 Radio Jack: TX AF IN 500 mV rms @ 600 Ω
 DISC OUT 500 mV rms @ 600 Ω
 PTT (Positive 5 V DC)
 Dimensions (W x H x D): 4.4" x 1.0" x 5.3" (111 x 25.4 x 133 mm)
 Weight: 0.66 lb (300 g)

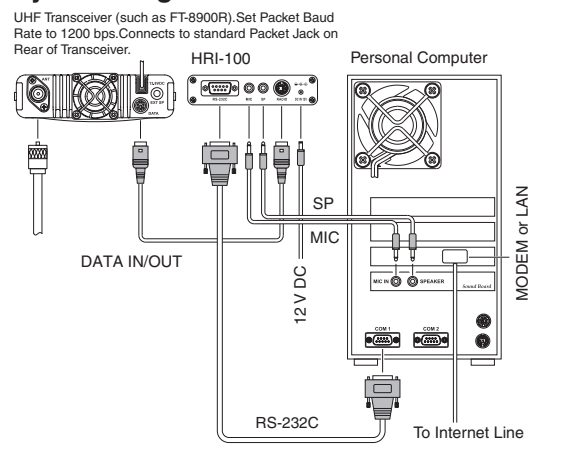
Components



AP01 CD-ROM (Including Manual)
Power Cable
Data Cable (RS-232C DB-9 Plug)
Data Cable (8-pin Mini-DIN Plug)
Audio Cable (3.5 mm Plug) (2)
WIRES™-II User/Server Agreement

• **Optional Accessory:**
NC-72B AC Adapter

System Diagram



WIRES™-II Internet Linking System Requirements

- WIRES™-II Kit (HRI-100 Controller, Cables, Manual, Software)
- Transceiver or Repeater (XCVR with standard PKT Jack recommended: FT-8900R, FT-817, FT-847, FT-897, etc.)
- Intel® MMX 200 MHz (or faster) processor
- Internet Connection (56K dial-up, ISDN, DSL, or other high speed lines OK)
- Microsoft® Windows® 98SE or later operating system
- 30 MB of available Hard Disk space
- 64 MB (or more) RAM
- CD-ROM Drive for installation
- 640 x 480 color display recommended, with 256-bit color support on video card
- 56 kbps Modem (for dial-up connections)
- Sound Card with 44.1 kHz sampling rate (some sound cards may not work)

Notice! Please note the important conditions regarding the use of this product.
 (Further detail and terms of your use of this product are contained in the License Agreement included with the Software.)

Only the customer who agrees to abide by the terms of the license with VERTEX STANDARD CO., LTD. may use this software. The user must agree to abide by the terms of the "WIRES™ END-USER LICENSE AGREEMENT" and register the necessary items in the WIRES™ SERVER, operated by VERTEX STANDARD CO., LTD. After registration, a Server ID Number will be assigned to you, and only then may you connect to the WIRES™ Server at VERTEX STANDARD CO., LTD. This software is owned by VERTEX STANDARD CO., LTD. and is protected under copyright laws and international copyright treaties. This software is licensed for use by the purchaser, and no rights other than a license to use this product in a manner in accordance with the End-User License Agreement are conveyed. Copying or other reproduction, in whole or in part, of this software and manual without permission are prohibited.

Regarding this software and the descriptions contained in the manual, VERTEX STANDARD CO., LTD. has the right to patent or to apply for all patents, copyrights, trademarks and other rights pertaining to this product, and VERTEX STANDARD CO., LTD. does not convey to the customer any permission to sell any of these rights to any party, and does not allow to use these rights in any other manner. The specifications, functions of the hardware and software, and the descriptions written in the manuals are subject to change without notice or obligation. VERTEX STANDARD CO., LTD. will make reasonable efforts to maintain and operate the WIRES™ Server for the enjoyment of Amateur Radio operators and the development of Amateur Radio technology; however, we may suspend the maintenance and operation of the Server in the future, at our sole discretion. VERTEX STANDARD CO., LTD. specifically disclaims any responsibility for claims arising out of such discontinuation of WIRES™ Server operation.

YAESU VERTEX STANDARD CO., LTD.
 4-8-8 Nakameguro, Meguro-ku, Tokyo 153-8644, Japan

VERTEX STANDARD Phone 714/827-7600; Fax 714/827-8100
 WIRES™ E-Mail Inquiries: wires@vxstdusa.com

For the latest Yaesu news, visit us on the Internet:
<http://www.vxstdusa.com> <http://www.yaesu.co.uk>

US Headquarters
 10900 Walker Street, Cypress, CA 90630, U.S.A.
International Division
 8350 N.W. 52nd Terrace, Suite 201, Miami, FL 33166, U.S.A.

YAESU EUROPE B.V.
 P.O. Box 75525, 1118 ZN Schiphol, The Netherlands

YAESU UK LTD. Email: sales@yaesu.co.uk
 Unit 12, Sun Valley Business Park, Winnall Close
 Winchester, Hampshire, SO23 0LB, U.K.

VERTEX STANDARD HK LTD.
 Unit 5, 20/F., Seaview Centre, 139-141 Hoi Bun Road,
 Kwun Tong, Kowloon, Hong Kong