

Intercom Goes Real-Time Network

Riedel talks standards. In offering both AES67 and AVB compatibility, Riedel's new Tango Platform provides maximum flexibility in today's and tomorrow's production and delivery environments.

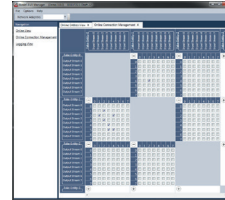
About AES67

The Audio Engineering Society published a standard for audio over IP interoperability in September 2013. The standard combines IP based transport mechanisms like RTP and SIP with timing mechanisms to achieve interoperability and reliable high quality audio transport over Local Area Networks.

All Riedel AVB products are prepared to optionally use AES67 as transport protocol.

About AVB

Riedel's AVB product line provides a communication solution fulfilling the demands of professional intercom users, allowing for transmission of Audio/Video in real-time with guaranteed bandwidth and reliability via Ethernet-based Local Area Networks (LAN) for highest broadcast quality and A/V experience.



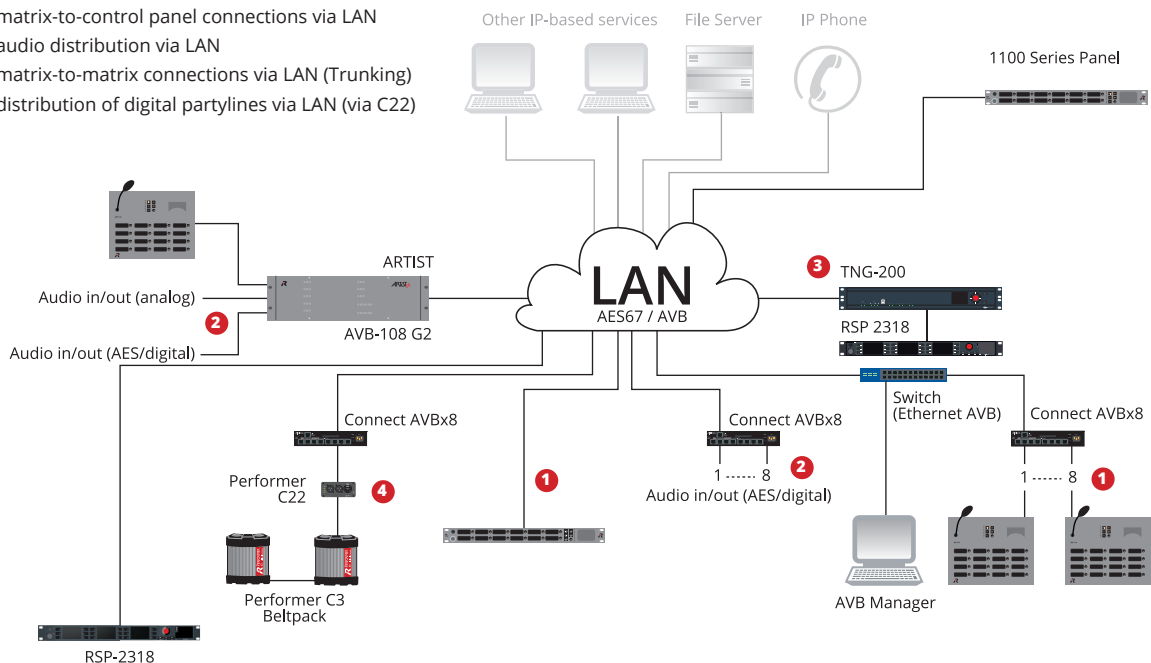
AVB Manager

Riedel's AVB manager is a manufacturer-independent software solution that provides generic AVB control for all IEEE 1722.1-compliant AVB devices. Providing a global overview of AVB infrastructures, this solution automatically detects and enumerates available AVB devices, supporting straightforward basic configuration and connection management via an intuitive graphical user interface.*

* The Riedel AVB Manager is available for free download at avb.riedel.net

There are four major applications for AVB in intercom:

- 1 matrix-to-control panel connections via LAN
- 2 audio distribution via LAN
- 3 matrix-to-matrix connections via LAN (Trunking)
- 4 distribution of digital partylines via LAN (via C22)





Gigabit Ethernet Switch

The 24-port Gigabit Ethernet Switch, including AVB license, software and TAC service agreement provides highly resilient and secure network edge connectivity.



**SMART
RACK**

Connect AVBx8 Panel Interface

The Connect AVBx8 converts eight AES signals to AVB and vice versa. Built in a compact 9.5"/1RU housing (Smart Rack SR12) the device provides eight CAT5 ports to connect up to eight Artist control panels in one or two-channel mode to the matrix via Ethernet-based LANs.*



**SMART
RACK**

Connect AVBc8 AES Interface

The Connect AVBc8 converts eight AES signals to AVB and vice versa. Built in a compact 9.5"/1RU housing (Smart Rack SR12) the device provides eight BNC ports to connect up to eight Artist control panels in one or two-channel mode to the matrix via Ethernet-based LANs. The AVBc8 interface supports bi-directional AES for intercom panels and unidirectional transport for broadcast AES*.



**SMART
RACK**

Connect AVBa8 Analog Interface

The Connect AVBa8 converts eight analog signals to AVB and vice versa. Built in a compact 9.5"/1RU housing (Smart Rack SR12) the device provides Analog 4-wire intercom ports (+18dBu in/out) on individual RJ-45/D-Sub25 for connection to equipment such as studio loudspeakers, cameras, telephone hybrids etc via Ethernet-based LANs.*

** The Riedel AVB Manager is available for free download at avb.riedel.net
For more details about Smart Rack please refer to the "Fiber Accessories" section.*

Connect AVB – Key Benefits

- » Risk-free utilization of existing AVB compliant facility and enterprise LAN data infrastructure for intercom applications
 - » Real-time communications over Ethernet in broadcast quality (AES3/EBU)
 - » Latency <250µs in 1000BaseT structures
 - » Based on official IEEE next generation Ethernet standards (Ethernet AVB)
 - » Guaranteed Quality of Service (QoS)
 - » Allows synchronized operation
 - » Future-proof infrastructure
-